



Sink - CL.1

Lavatory spout, deck-mounted without drain - polished chrome

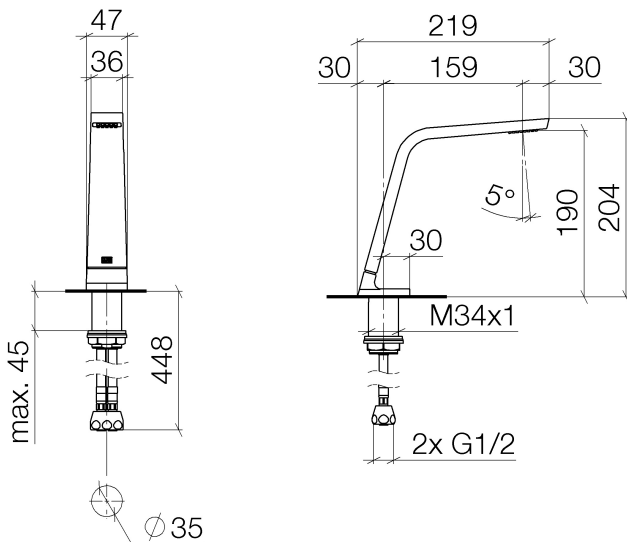
Article number: 13 715 705-00

- 6-1/4" Projection
- Rigid spout
- Rectangular aerator with 40 individual streams
- Total height 8"
- Height to aerator/spout outlet 7-1/2"
- 1-3/8" hole diameter
- 1/2" connection
- Water flow rate limited to max. 1.1 gpm
- lead-free
- Fittings group in compliance with DIN 4109: 1



polished chrome

Dimensional drawing



All dimensions in mm / inch = mm x 0,0394

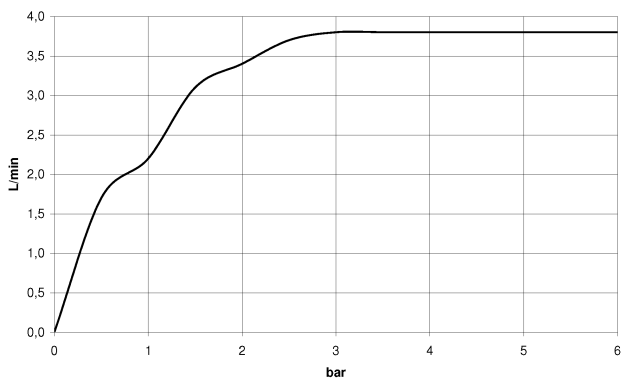


Sink - CL.1

Lavatory spout, deck-mounted without drain - polished chrome

Article number: 13 715 705-00

Flow rate chart





Sink - CL.1

Lavatory spout, deck-mounted without drain - polished chrome

Article number: 13 715 705-00

Other surface finishes



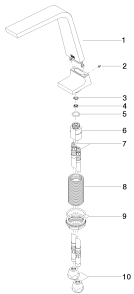
platinum matte
13 715 705-06



Dark Platinum matte
13 715 705-99

More custom finish options are available via special production (xTra Service). Please see our finish matrix for availability and pricing or contact a Dornbracht representative.

Spare parts list



Number	Item Number	Designation	Number of units
--------	-------------	-------------	-----------------